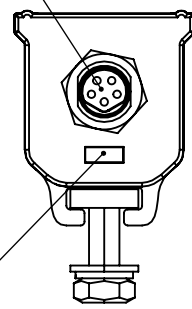
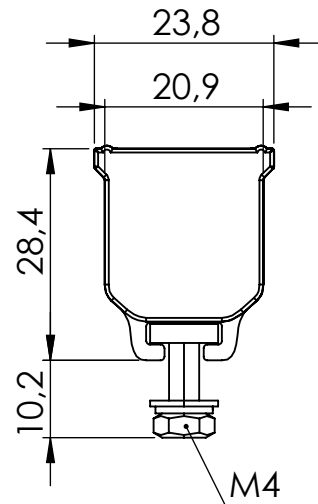


M8 connector  
5p male

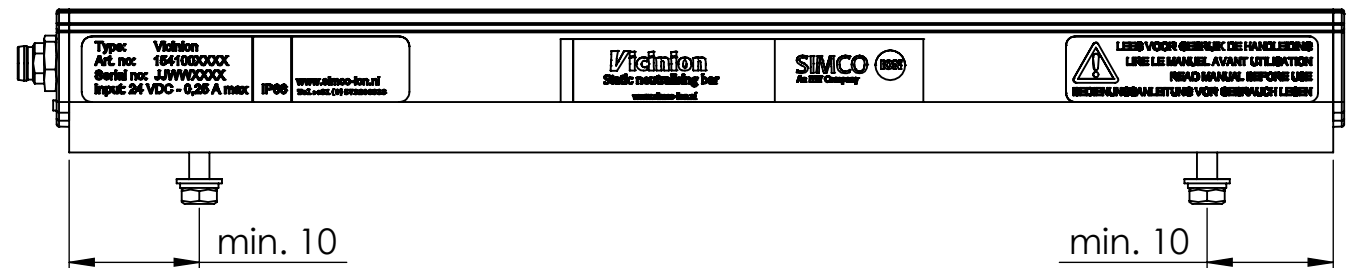
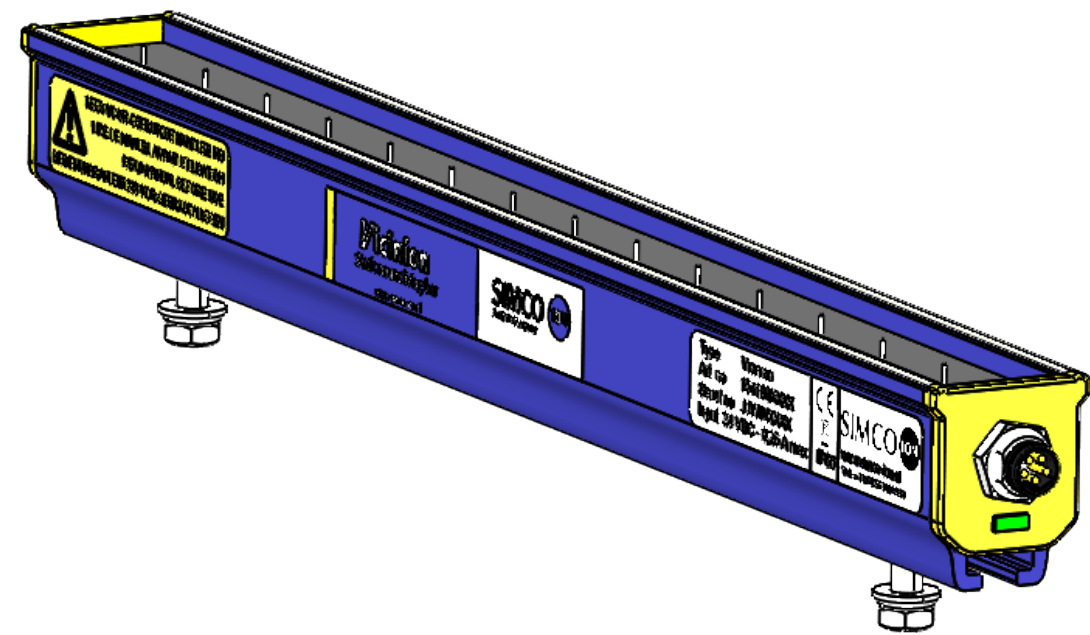
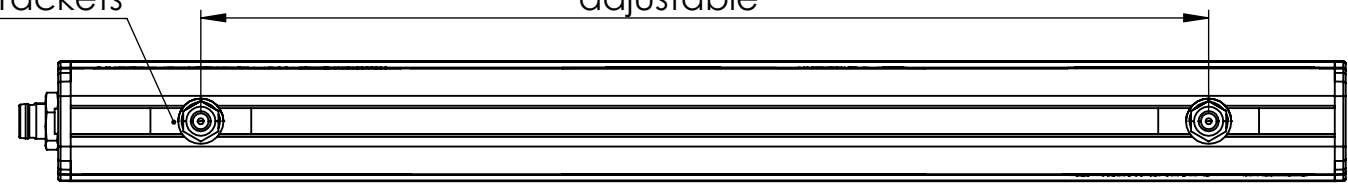


Status LED

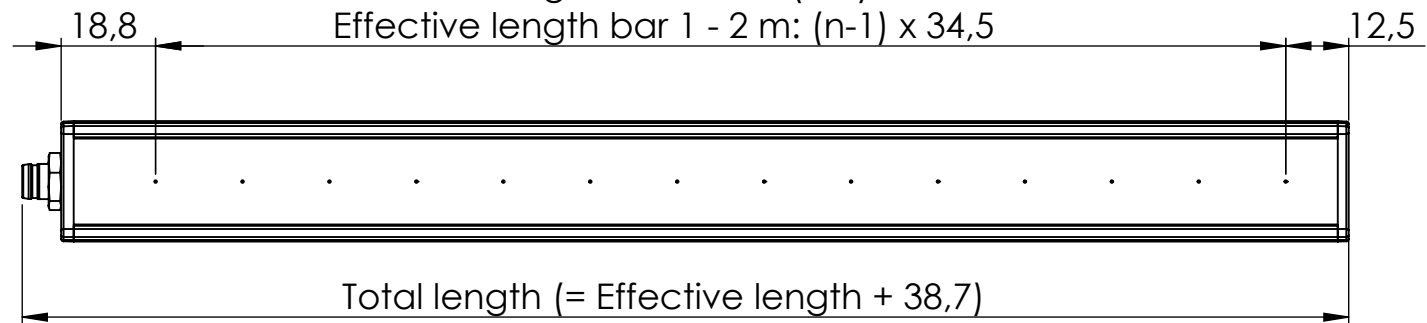


Slidable and  
removable brackets

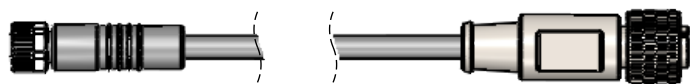
adjustable



Effective length bar < 1 m:  $(n-1) \times 17,25$   
Effective length bar 1 - 2 m:  $(n-1) \times 34,5$



Optional connectors:



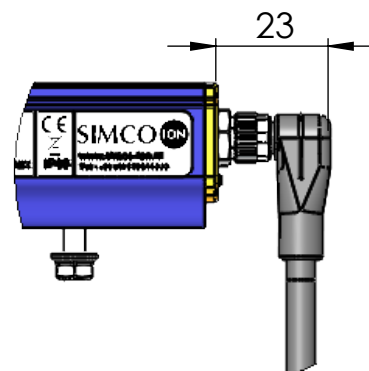
M8 - M12 cable (Connect to Manager  
IQ EAsy or Desktop Power supply)

L = 2 m Itemnr. 7519020265



M8 cable straight blunt end  
(Connect to Power supply)

L = 5 m Itemnr. 7519020261  
L = 18 m Itemnr. 7519020262



M8 cable angled blunt end  
(Connect to Power supply)

L = 5 m Itemnr. 7519020263

n = amount of emitters

Minimal Effective length: 224 mm  
Maximal Effective length: 1967 mm

Total length > 500 mm: 3 brackets  
1000 - 1500 mm: 4 brackets  
> 1500 mm: 5 brackets